

Setting up the unit

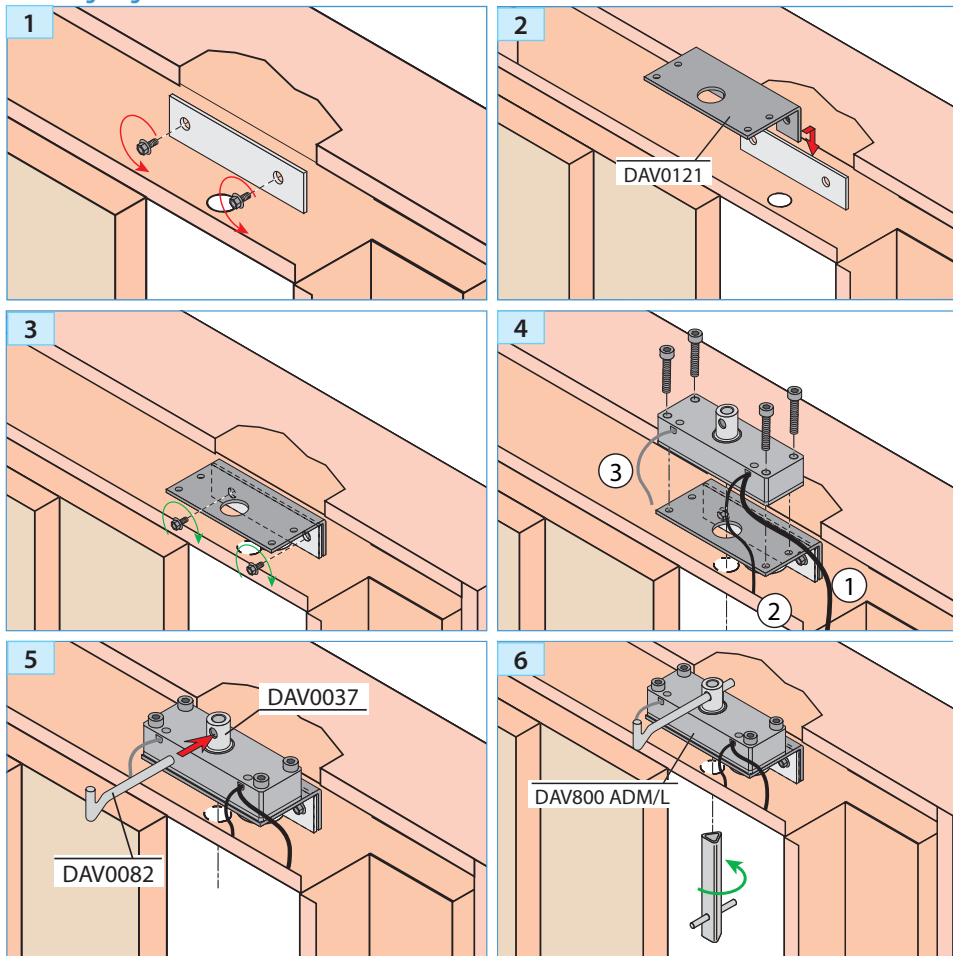
DAV700/750 Koné AMD-L

DAV800/850 Koné AMD-L

DEX Koné AMD-L

MDV21 Koné AMD-L

Mounting stages



DAV - DEX

WIRING (DAV) :

- ② : 3 wires (inverse contact) :
black (common) ; gray (NO) ; blue (NC).
- ③ : 2 wires : supply 24 V dc.

MDV21

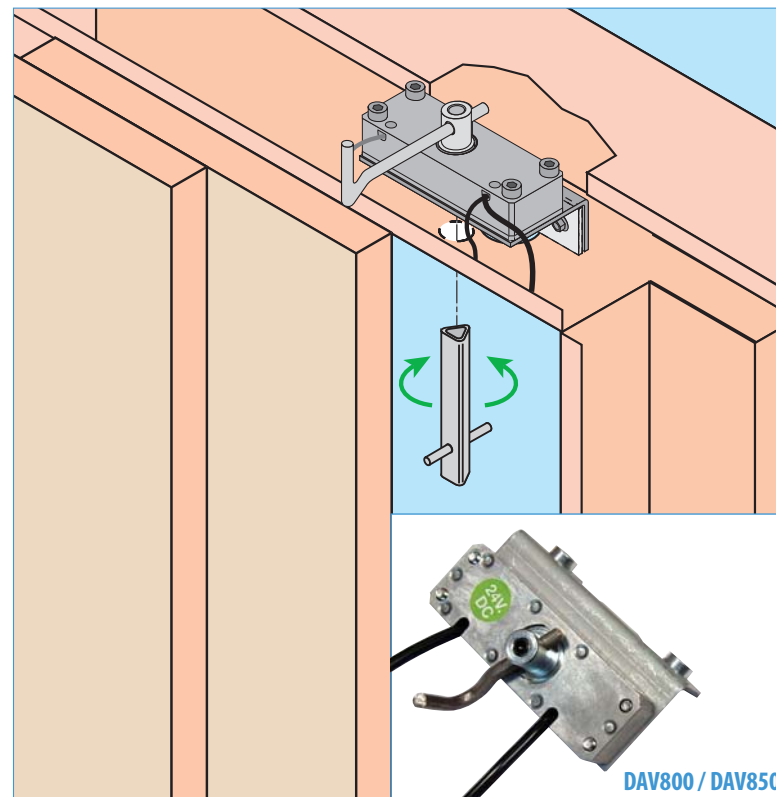
WIRING (MDV21) :

- ① : monostable security contact
- ② : Microswitch
- ③ : Option EN81-71.



Works with a
bistable rearming
Controller ARM/
MDV21.

- Electromechanical anti vandal unlocking (Koné AMD-L)
- Double door-opening detector (Koné AMD-L) Conformity with EN81.21, EN81.21 + EN81.71



Supplies :

- Set DAV Kone-AMD/L + Screws.
- Set DEX Kone-AMD/L + Screws.
- Set MDV21 Kone-AMD/L + Screws.

Optionnal :

PLEASE, BEFORE INSTALLATION, READ IT CAREFULLY.

prudhomme S.a

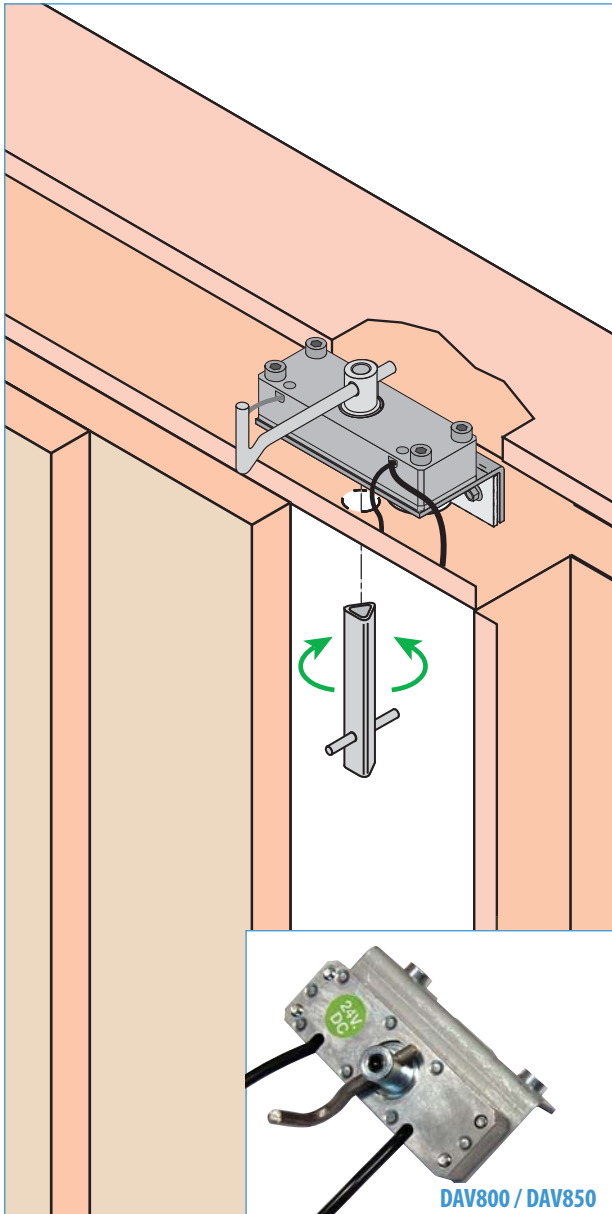
Matériel spécifique pour ascenseurs - specific parts and components for elevators

prudhomme S.a

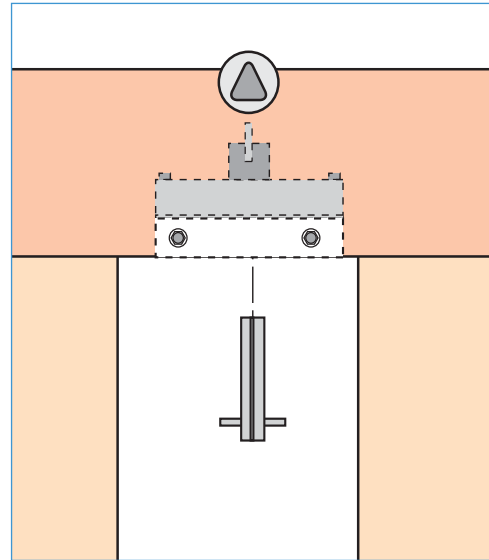
38, Rue Charles de Gaulle F
94140 Paris/Alfortville
www.prudhomme.com
Tél. : +33 01 45 18 19 20
Fax : +33 01 45 18 19 21

NI-A Document non contractuel, sous réserve de modification - Reproduction interdite. NI Ind. A du 15/03/2018

- Double door-opening detector (Koné AMD-L) Conformity with EN81.21, EN81.21 + EN81.71



New installation and Renovation

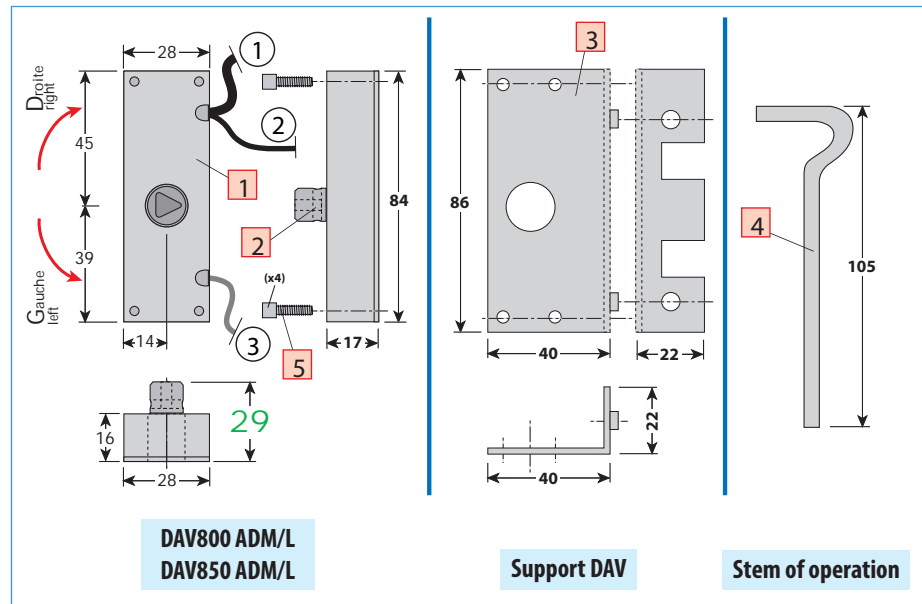


Composition of the product

Rep.	Qty.	Designation
1	1	DAV800/850 AMD/L
2	1	Axe (DAV0037)
3	1	Support DAV (DAV0121)
4	1	Stem of operation (DAV0082)

Screws

Rep.	Qty.	Designation
5	2	screw CHC M4x20



DAV - DEX

- **DAV700 Kone ADM/L** (24 V dc - 100 mA) : Locking only, **Switched on** : device blocking.

- **DAV750 Kone ADM/L** (24 V dc - 100 mA) : Locking only, **Switched off** : device blocking.

- **DAV800 Kone ADM/L** (24 V dc - 100 mA) : Switched on, mechanical sticking accessible to the triangle (impossible to use the unlocking key of the lock).

- **DAV850 Kone ADM/L** (24 V dc - 100 mA) : Switched off, mechanical sticking accessible to the triangle (impossible to use the unlocking key of the lock).

- **DEX Kone ADM/L** (microswitch) : inverse contact for buzzer.

WIRING (DAV) :

- ② : 3 wires (inverse contact) : **black** (common), **gray** (no) **blue** (NC)
- ③ : 2 wires : feeding 24 V dc

MDV21

WIRING (MDV21) :

- ① : monostable security contact
- ② : Microswitch
- ③ : Option EN81-71.

